

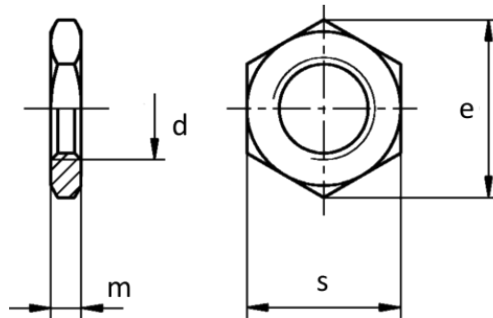


POLAR
=FASTENERS=

DIN 936

Benzeri - Similar - Ähnlich
ISO 4035

- Altıköşe Kontra Somun
- Hexagon Thin Nuts
- Flache Sechskantmuttern



d	M 8	M 10	M 12	M 14	M 16	M 18	M 20	M 22	M 24
P (pitch)	1,25 (1)	1,5 (1)(1,25)	1,75 (1,25)(1,5)	2 (1,5)	2 (1,5)	2,5 (1,5)(2)	2,5 (1,5)(2)	2,5 (1,5)(2)	3 (1,5)(2)
m	5	6	7	8	8	9	9	10	10
s	13	17	19	22	24	27	30	32	36
e (min)	14,38	18,9	21,1	24,49	26,75	29,56	32,95	35,03	39,55

d	M 27	M 30	M 33	M 36	M 39	M 42	M 45	M 48	M 52
P (pitch)	3 (1,5)(2)	3,5 (1,5)(2)	3,5 (1,5)(2)	4 (1,5)(2)(3)	4 (1,5)(2)(3)	4,5 (1,5)(2)(3)	4,5 (1,5)(2)(3)	5 (1,5)(2)(3)	5 (1,5)(2)(3)
m	12	12	14	14	16	16	18	18	20
s	41	46	50	55	60	65	70	75	80
e (min)	45,20	50,85	55,37	60,79	66,44	71,3	76,95	82,60	88,25